

## UNDERWATER LIGHTS FOR CONCRETE POOLS

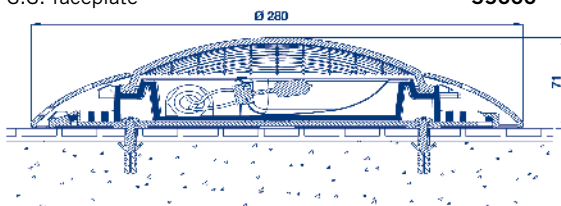
### Extra flat lights



Built of stable, heat-resistant plastic materials. White. Niche not required for installation. ABS or S.S. faceplate fixed to the wall by means of a reinforced plastic cross, plugs and screws. Supplied with 2.5 m cable of 2 x 1.5 mm<sup>2</sup> 100 W - 12 V halogen lamp. Supplied without transformer.



	Code	Standard Packaging	Standard Weight kg	Standard Volume m <sup>3</sup>
White ABS faceplate	<b>21626</b>	6	8.70	0.055
S.S. faceplate	<b>35666</b>	6	8.70	0.055



### PS lights



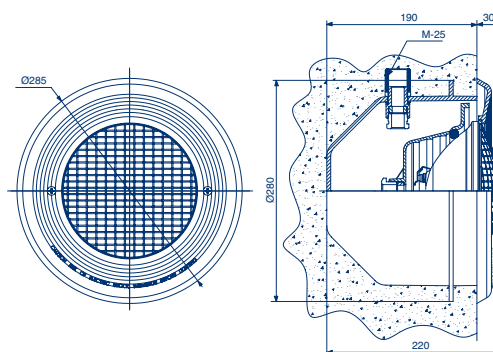
**07833**

Supplied with niche to be embedded in the pool wall. Manufactured in PS plastic. PAR56 300 W-12 V halogen lamp. The niche has a single cable outlet on one side. The stuffing boxes are made of brass with M-25 threads. The PS model lights are supplied without transformer.

	Code	Standard Packaging	Standard Weight kg	Standard Volume m <sup>3</sup>
<b>Without cable</b>				
With white ABS faceplate	<b>07833</b>	4	11.20	0.090
With S.S. faceplate	<b>07831</b>	4	12.25	0.090
<b>With 2.5 m cable of 2x6 mm<sup>2</sup></b>				
With white ABS faceplate	<b>07846</b>	4	16.00	0.090
With S.S. faceplate	<b>07845</b>	4	16.00	0.090



**07831**



### PS lights niche



To be embedded in the pool wall. Manufactured in PS. The niche has a single cable outlet on one side. Niche for PS light models (07831, 07833, 07845 and 07846). These niches are supplied without cable.

Code	Standard Packaging	Standard Weight kg	Standard Volume m <sup>3</sup>
<b>00355</b>	6	7	0.068