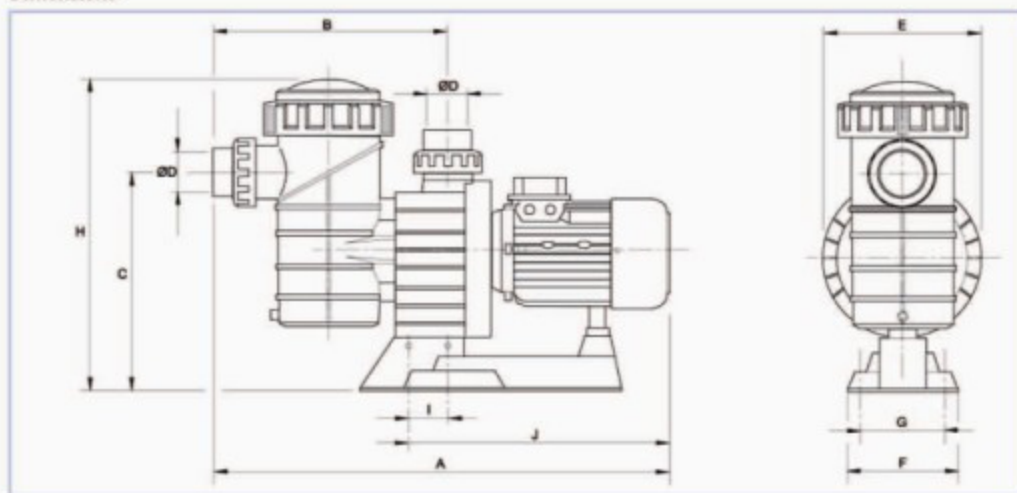
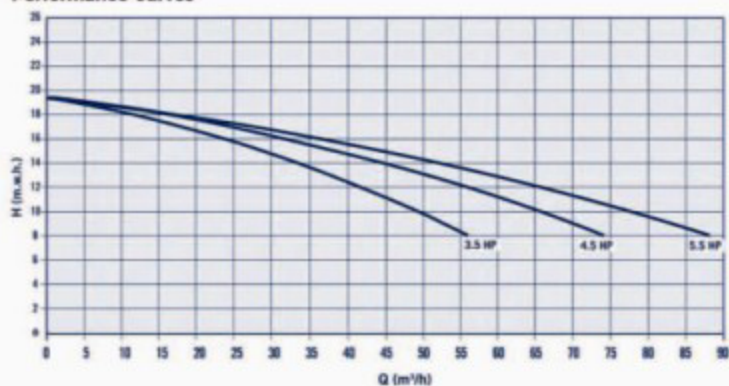


## Dimensions



## Performance curves



## Technical features

Model	Type	Volts	A mm	B mm	C mm	$\varnothing D$ mm	E mm	F mm	G mm	H mm	I mm	J mm
08003	3.5	230/400	815	430	385	90	287	200	140	530	65	468
08004	4.5	230/400	815	430	385	90	287	200	140	530	65	468
08005	5.5	230/400	847	430	385	90	287	200	140	530	65	500